

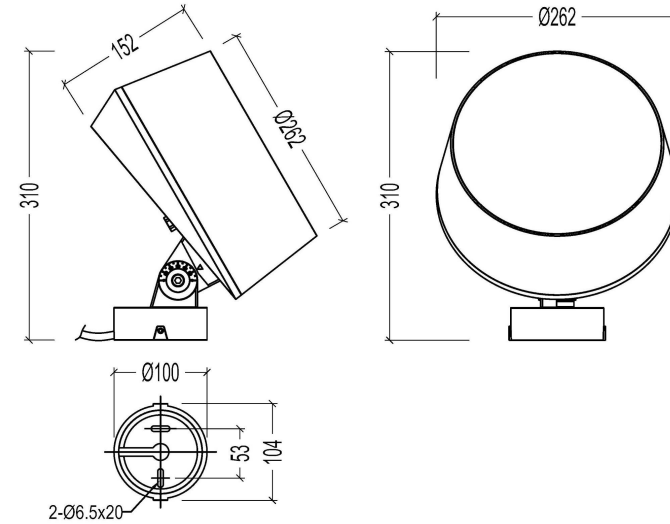
**Beam**

FL-0262

The high-power Beam FL-0262 is tailored for very large spaces, such as airport runways or expansive commercial complexes. Its powerful illumination can cover vast areas, making it an excellent choice for projects requiring extensive floodlighting.



**Product Dimension Drawings**



**Technical Specification**

Operation Voltage	220-240 VAC
Power Consumption	72 W
Luminous Flux	4320 lm
Beam Angle *	10° / 15° / 20° / 30° / 45° / 60°
Color LED	2700 K – 6500 K
Color Fixture	White, Grey, Black
Color Rendering	≥ 80
Material	Die Casting Aluminium
IP Grade	IP66
Ambient Temperature Range	-20°C - +45°C
Ambient Humidity Range	10% - 95% RH
Control Mode	1-10 V, DMX or DALI

\* IES file available on request