

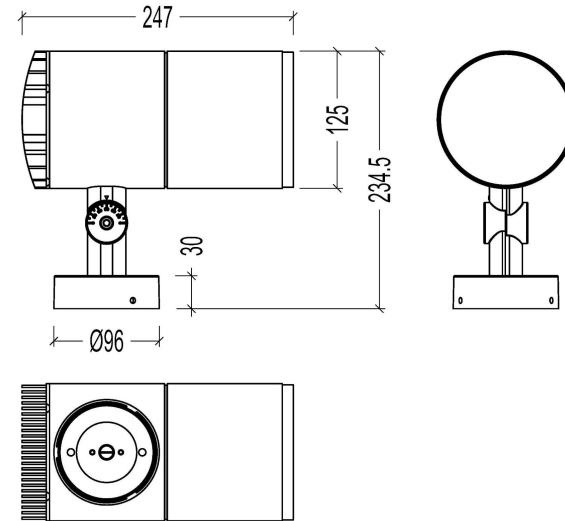
Prisma

SL-0125

As a high-power version in this series, the Prisma SL-0125 is designed for large structures like concert halls or stadiums. Its cylindrical form, three beam angles, and effective heat management make it capable of illuminating vast areas with precision. The DMX or DALI control adds flexibility, ideal for dynamic lighting on grand architectural facades.



Product Dimension Drawings



Technical Specification

Operation Voltage	220-240 VAC
Power Consumption	45 W
Luminous Flux	3000 lm
Beam Angle *	24° / 36° / 60°
Color LED	2700 K – 6500 K or RGBW
Color Fixture	White, Grey, Black
Color Rendering	≥ 80
Material	Die Casting Aluminium
IP Grade	IP66
Ambient Temperature Range	-20°C - +45°C
Ambient Humidity Range	10% - 95% RH
Control Mode	1-10 V, DMX or DALI

* IES file available on request