

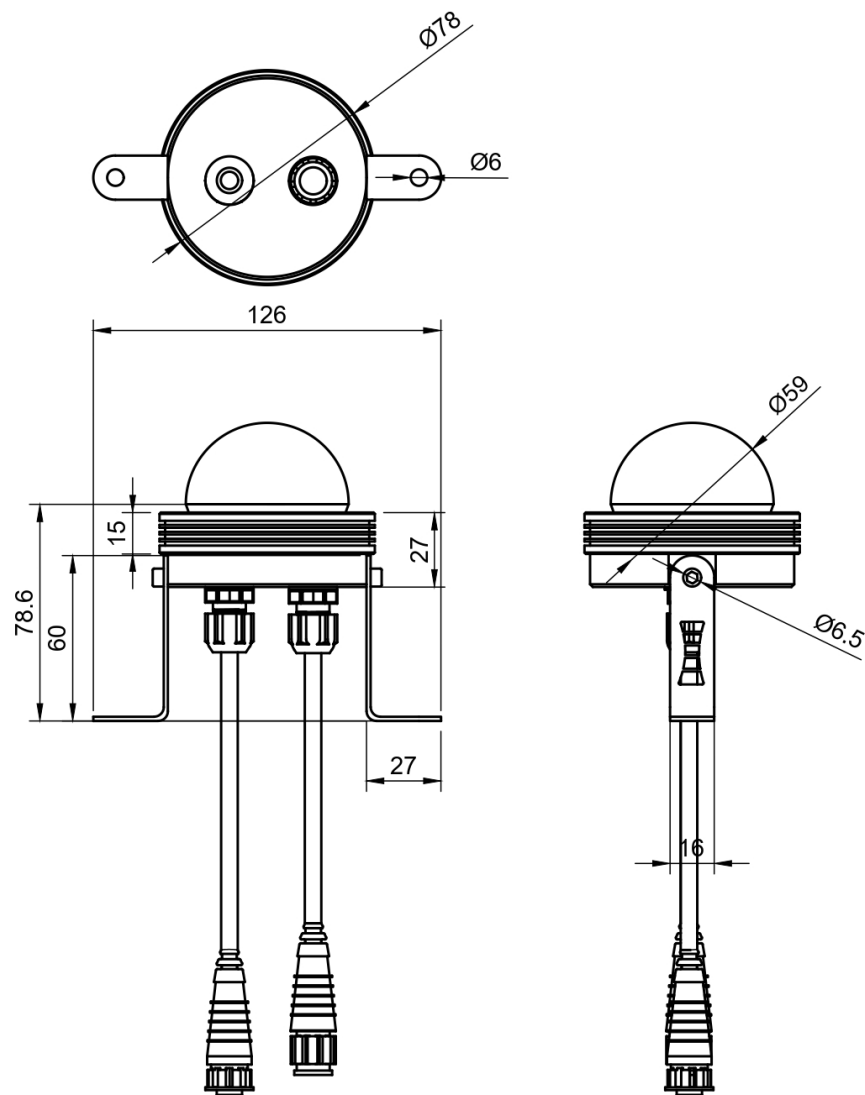
PixelMax-V

PX-RD70V

PixelMax combines a cluster of 36 newest high-performance RGB+W LEDs in a fixture made of anodized aluminium. The solid weather proofed pixel application is a perfect choice for your facade or bridge project. The DMX addresses for the control do not have to be set separately, but are distributed fully automatically.



Product Dimension Drawings



Technical Specification

Operation Voltage	24 VDC
Power Consumption	5.8 W
Luminous Flux	275 lm
Viewing Angle *	160° Diffuse
Color LED	3000K, RGB, RGB+W
Color Fixture	Silver / White
Material	Aluminum Silver Anodized, Polycarbonate Dome Diffuse
IP Grade	IP67
Ambient Temperature	-40°C - +55°C
Store Temperature	-40°C - +90°C
Accessories	Extension cables, black, R-IP68
Control Mode	DMX 512 Auto Address