

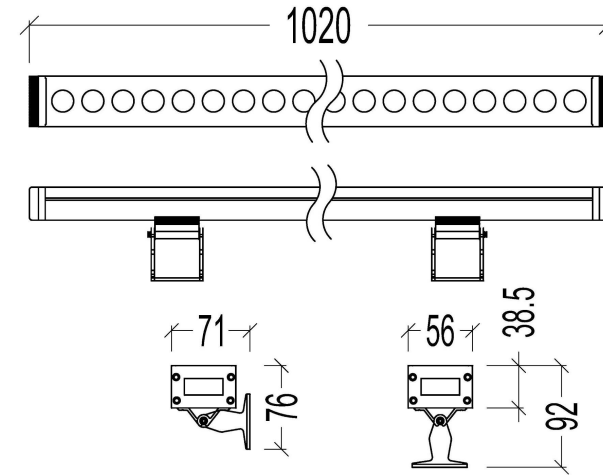
**Lineare**

LL-056

The Lineare LL-056 is a high-power linear floodlight, designed for expansive areas such as docks or industrial complexes. Its broad coverage and various beam angles ensure efficient and effective illumination of large spaces.



**Product Dimension Drawings**



**Technical Specification**

Operation Voltage	24 VDC
Power Consumption	48 W
Luminous Flux	2880 lm
Beam Angle *	8° / 10° / 15° / 20° / 30° / 45° / 60° / 15*45° / 10*60°
Color LED	2700 K – 6500 K
Color Fixture	White, Grey, Black
Color Rendering	≥ 80
Material	Aluminium profile / Silver
IP Grade	IP66
Ambient Temperature Range	-20°C - +45°C
Ambient Humidity Range	10% - 95% RH
Control Mode	1-10 V, DMX or DALI

\* IES file available on request